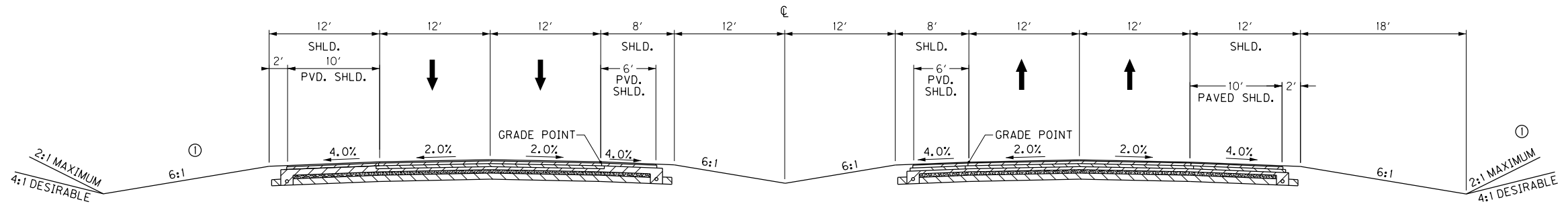


TYPICAL SECTIONS

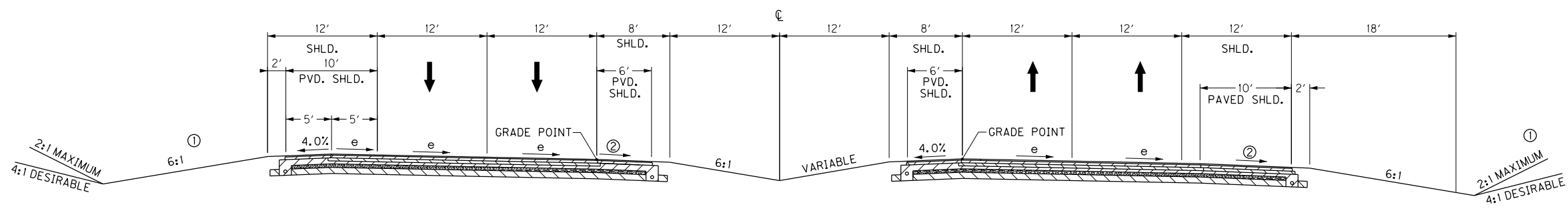
US 60

COUNTY OF	ITEM NO.	SHEET NO.
BALLARD		

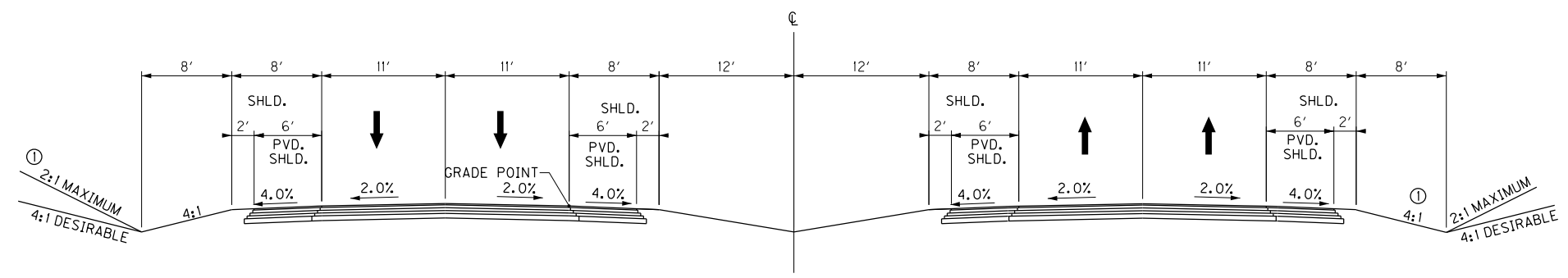
- NOTES:
- SEE CROSS SECTIONS FOR SLOPES OUTSIDE THE LIMITS OF THE SHOULDER.
 - SUPERELEVATED SHOULDER TO BE CONSTRUCTED TO SUPERELEVATION RATE. AT NO TIME WILL THE SLOPE BE FLATTER THAN THE SLOPE INDICATED FOR NORMAL SECTION.
 - ASPHALT SEAL COAT REQUIRED FROM OUTSIDE EDGE OF PAVED SHOULDER TO A POINT 2 FEET DOWN THE DITCH OR FILL SLOPE. TWO APPLICATIONS OF THE FOLLOWING:
ASPHALT SEAL COAT 2.4 LBS/SQ. YD.
ASPHALT SEAL AGGREGATE 20 LBS/SQ. YD. (SIZE #8 OR #9)



RURAL (NORMAL) SECTION
TEMPLATE USED ON ALIGNMENT SECTIONS:
1-A,
2-A,
3



RURAL (SUPERELEVATED) SECTION
TEMPLATE USED ON ALIGNMENT SECTIONS:
1-A
2-A
3



PBFS 4 LANE - RURAL (NORMAL) SECTION
TEMPLATE USED ON ALIGNMENT SECTIONS:
1-A

FILE NAME: C:\PWORKING\DIR\AET-PW-BENTLEY.COM\AET-PW-ON\DREES\AETI.CC.DMS08884\TYPICAL SECTIONS.DGN

USER: drees
DATE PLOTTED: May 23, 2019

E-SHEET NAME:

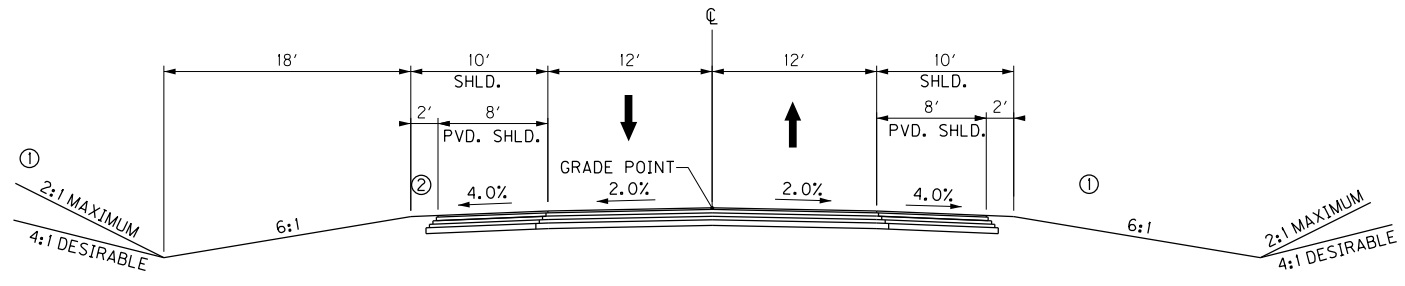
MicroStation v8.11.7.443

TYPICAL SECTIONS

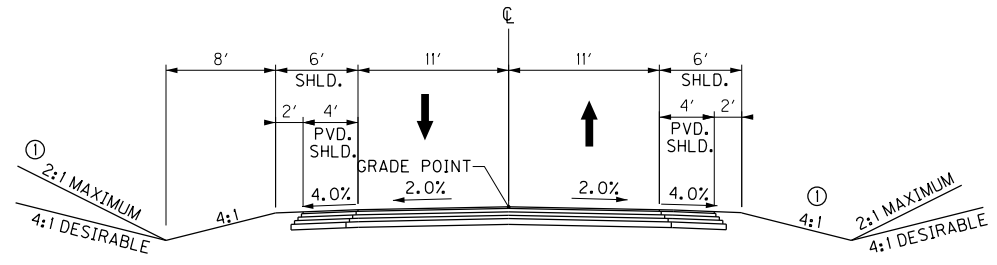
US 60

COUNTY OF	ITEM NO.	SHEET NO.
BALLARD		

- NOTES:
- SEE CROSS SECTIONS FOR SLOPES OUTSIDE THE LIMITS OF THE SHOULDER.
 - SUPERELEVATED SHOULDER TO BE CONSTRUCTED TO SUPERELEVATION RATE. AT NO TIME WILL THE SLOPE BE FLATTER THAN THE SLOPE INDICATED FOR NORMAL SECTION.
 - ASPHALT SEAL COAT REQUIRED FROM OUTSIDE EDGE OF PAVED SHOULDER TO A POINT 2 FEET DOWN THE DITCH OR FILL SLOPE. TWO APPLICATIONS OF THE FOLLOWING: ASPHALT SEAL COAT 2.4 LBS/SQ. YD. ASPHALT SEAL AGGREGATE 20 LBS/SQ. YD. (SIZE #8 OR #9)



SUPER 2 - RURAL (NORMAL) SECTION
 TEMPLATE USED ON ALIGNMENT SECTIONS:
 1-A, 1-B
 2-A, 2-B



PBFS 2 LANE - RURAL (NORMAL) SECTION
 TEMPLATE USED ON ALIGNMENT SECTIONS:
 1-A, 1-B

FILE NAME: C:\PWWORKINGDIR\AEI-PW.BENTLEY.COM\AEI-PW-01\DREES\AEI-CC\MS08884\TYPICAL SECTIONS.DGN

USER: dreess
 DATE PLOTTED: May 23, 2019

E-SHEET NAME:

MicroStation v8.11.7.443